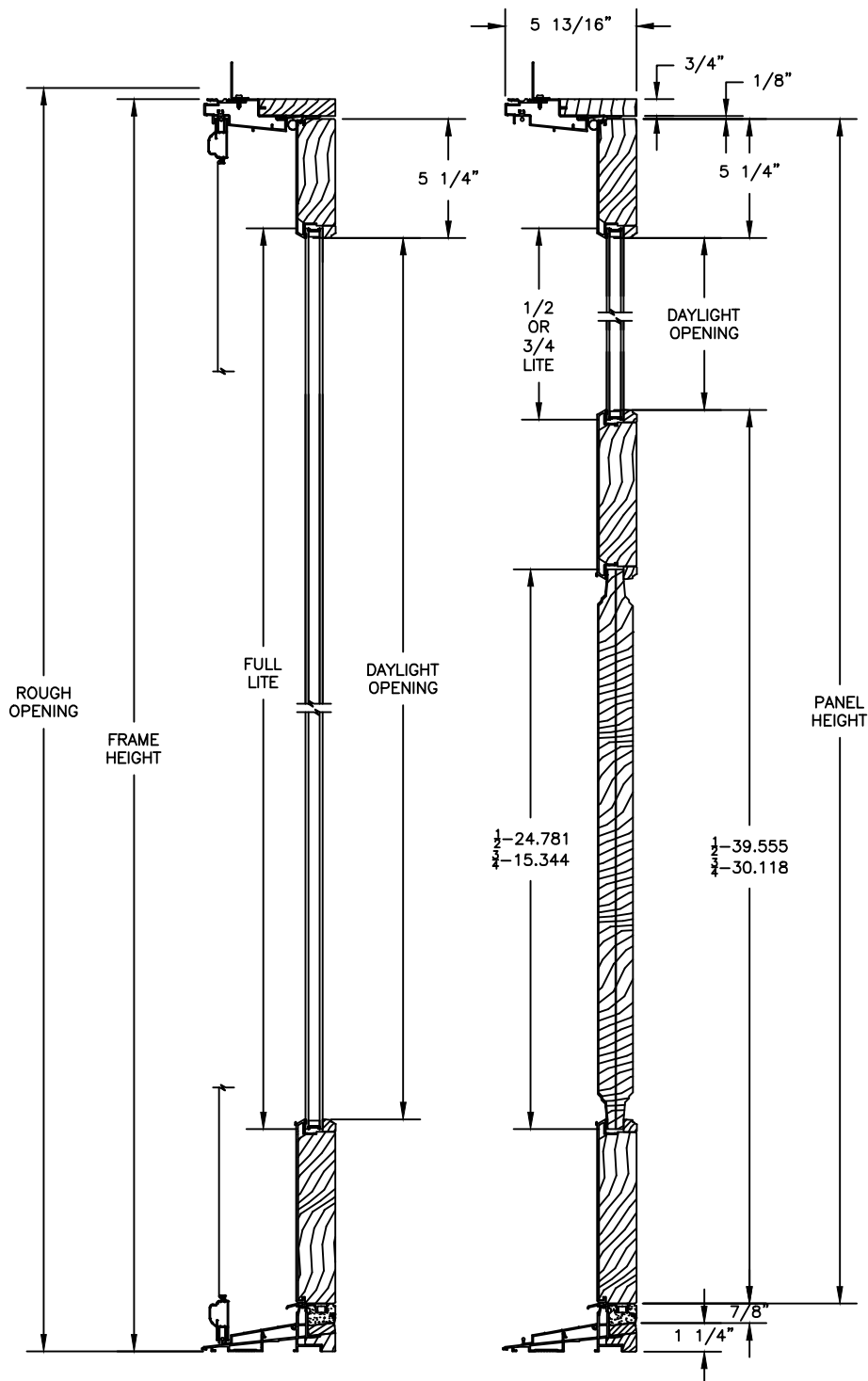


Ashworth Series

CLAD PATIO DOOR - ASW

SECTION DETAILS: VERTICAL ACTIVE
 SCALE: 1 1/2" = 1'-0"

HEAD JAMB & SILL

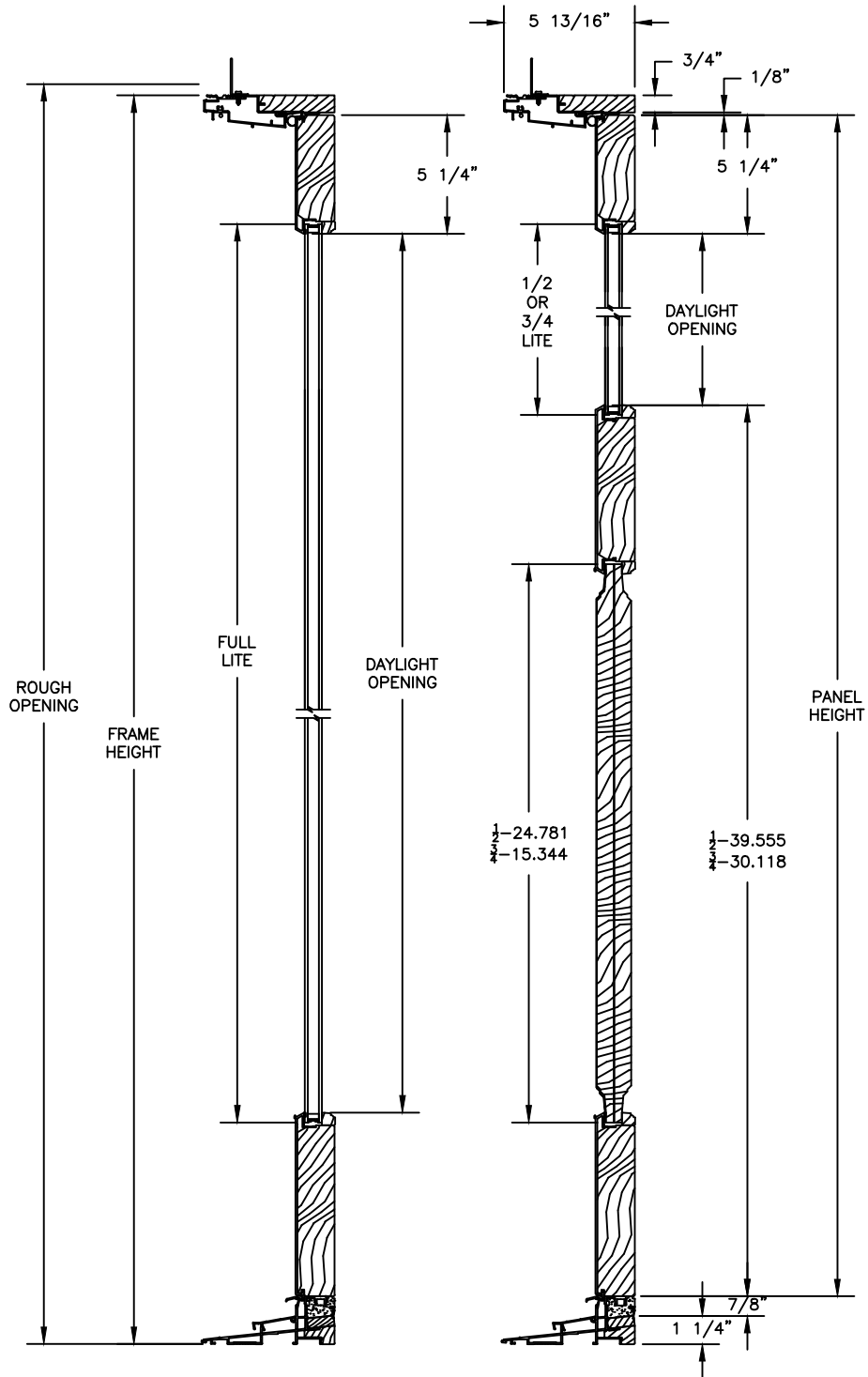


Ashworth Series

CLAD PATIO DOOR - ASW

SECTION DETAILS: VERTICAL STATIONARY
 SCALE: 1 1/2" = 1'-0"

HEAD JAMB & SILL

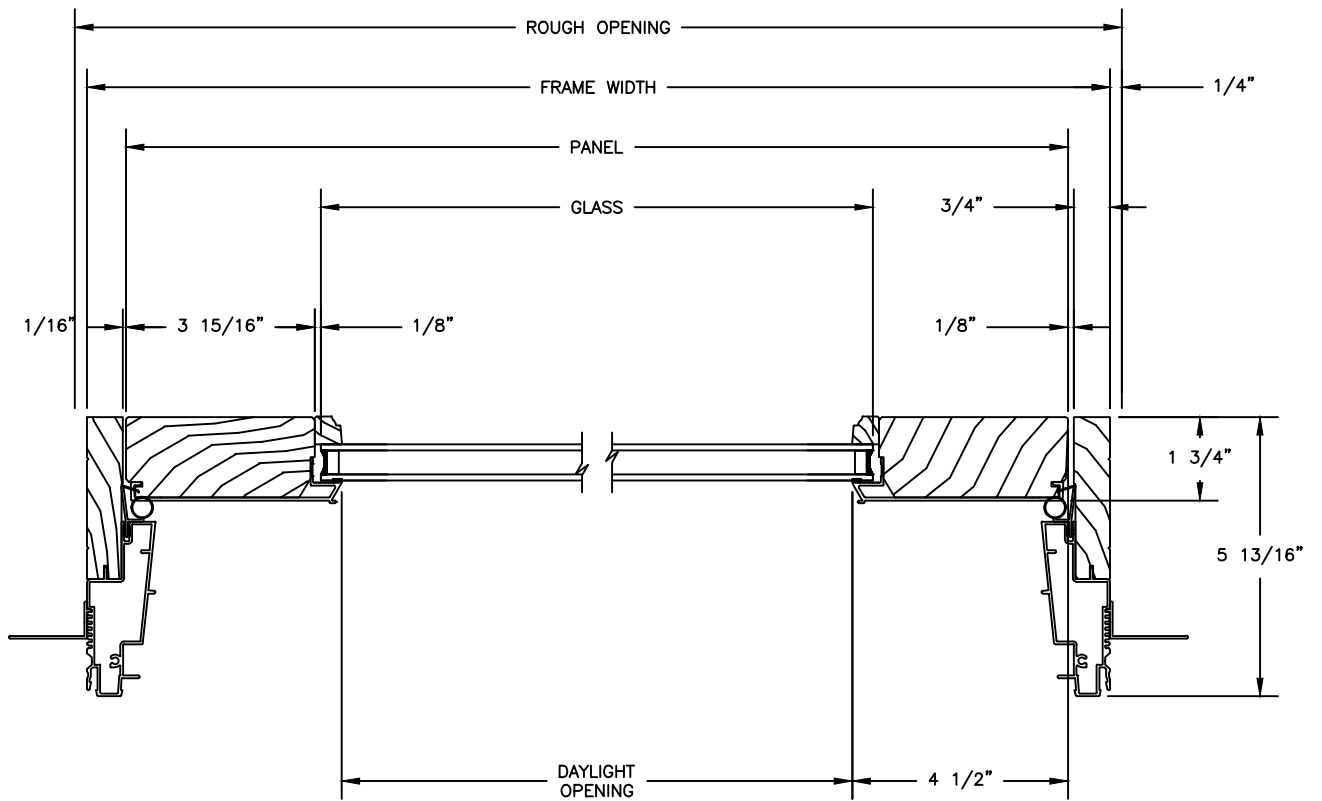


Ashworth Series

CLAD PATIO DOOR - ASW

SECTION DETAILS: HORIZONTAL ACTIVE
SCALE: 3" = 1'-0"

SIDE JAMBS



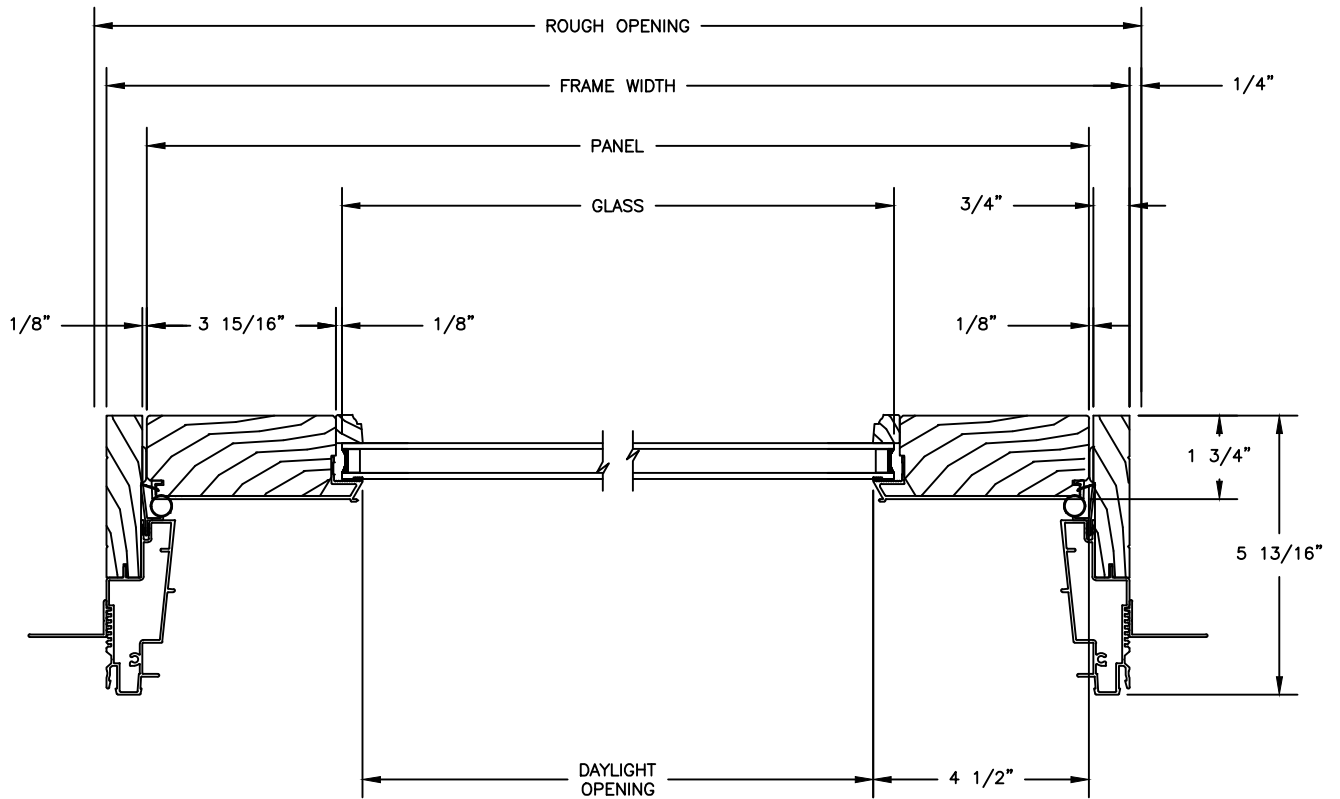
Ashworth Series

CLAD PATIO DOOR - ASW

SECTION DETAILS: HORIZONTAL STATIONARY

SCALE: 3" = 1'-0"

SIDE JAMBS

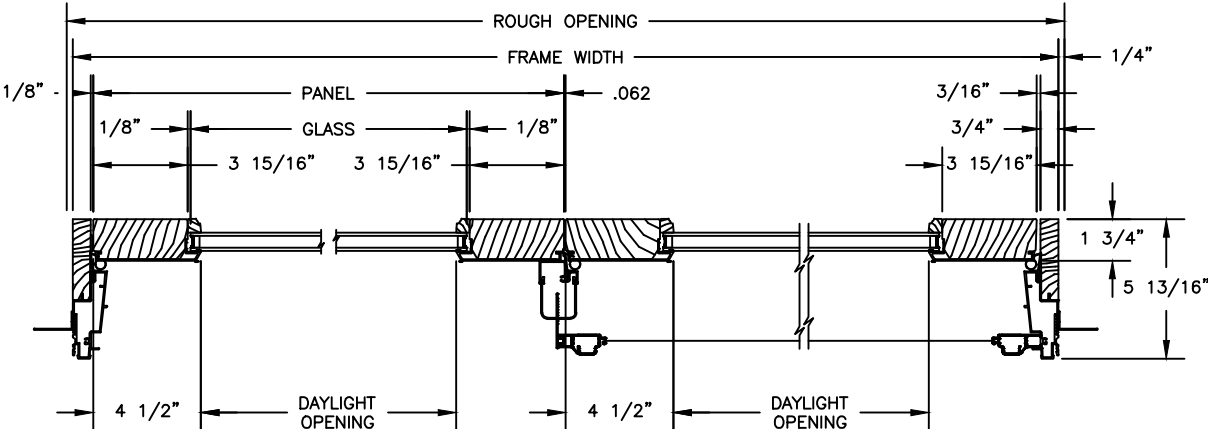


Ashworth Series

CLAD PATIO DOOR - ASW

SECTION DETAILS: HORIZONTAL CENTERSWING
SCALE: 1 1/2" = 1'-0"

SIDE JAMBS

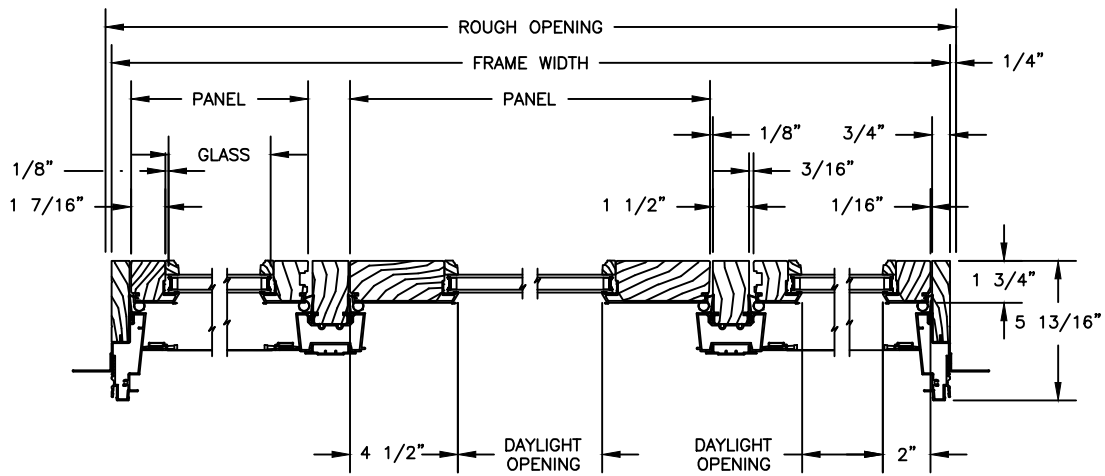


Ashworth Series

CLAD PATIO DOOR - ASW

SECTION DETAILS: ENTRY SINGLE ACTIVE
SCALE: 1 1/2" = 1'-0"

SIDE JAMBS

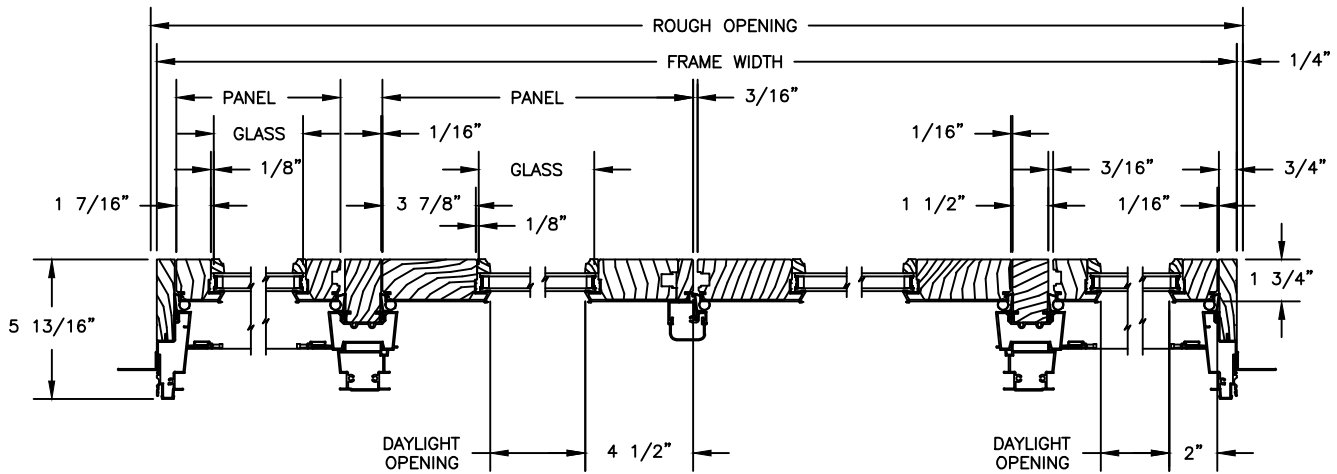


Ashworth Series

CLAD PATIO DOOR - ASW

SECTION DETAILS: ENTRY FRENCH
SCALE: 1 1/2" = 1'-0"

SIDE JAMBS

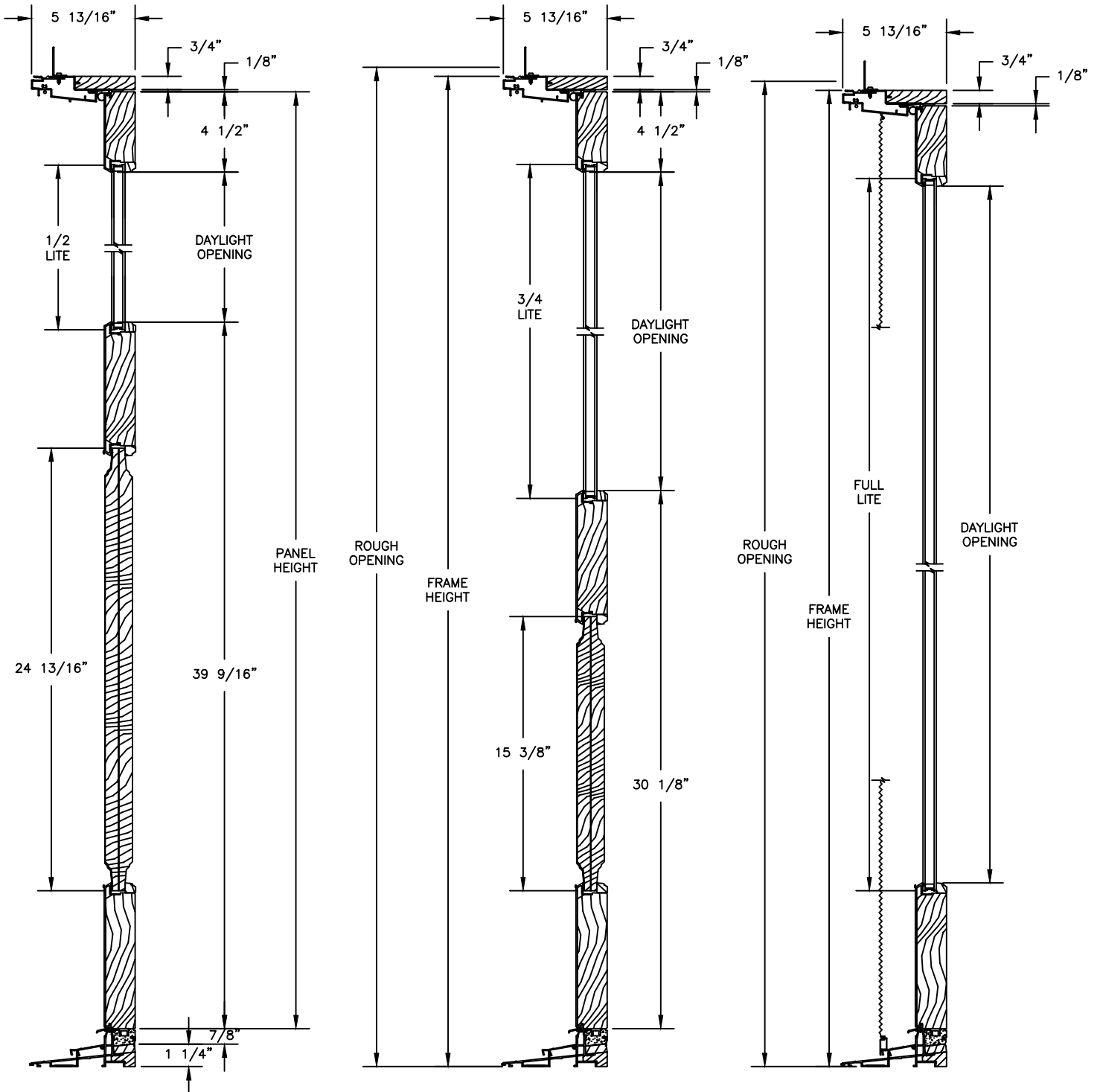


Ashworth Series

CLAD PATIO DOOR - ASW

SECTION DETAILS: STATIONARY SIDELITE
 SCALE: 1 1/2" = 1'-0"

HEAD & SILL JAMB

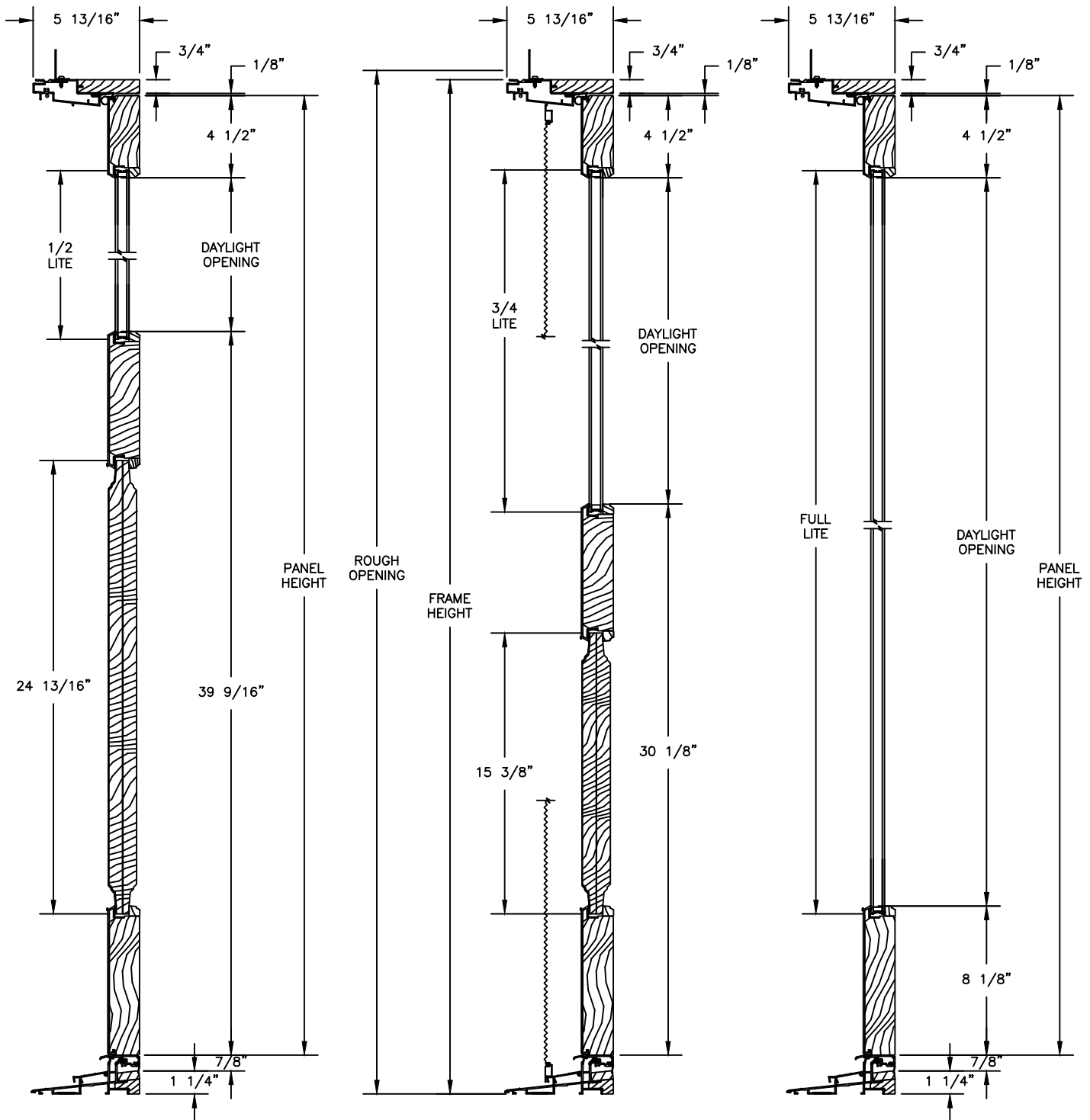


Ashworth Series

CLAD PATIO DOOR - ASW

SECTION DETAILS: ACTIVE SIDELITE
 SCALE: 1 1/2" = 1'-0"

HEAD & SILL JAMB

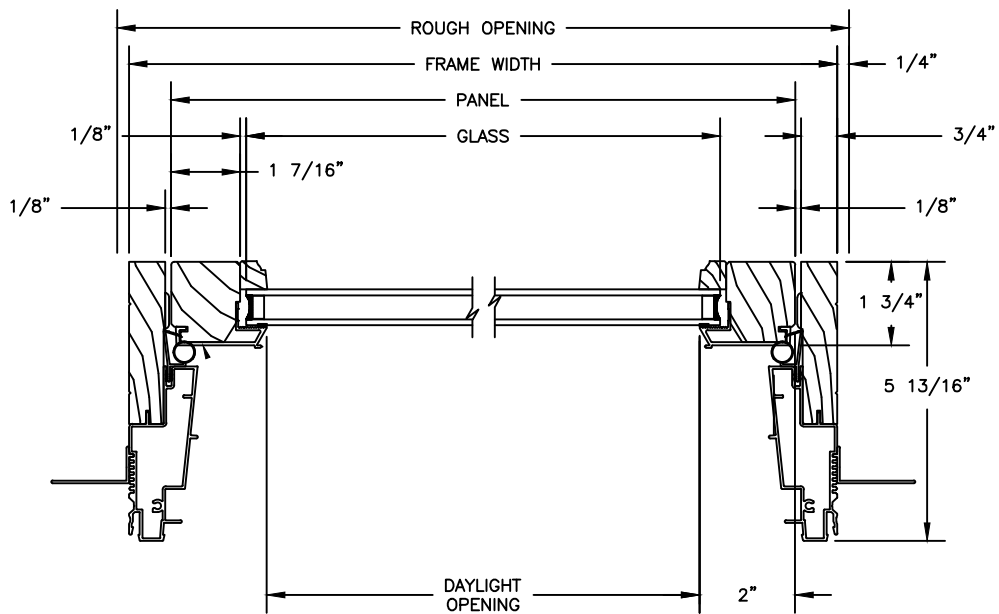


Ashworth Series

CLAD PATIO DOOR - ASW

SECTION DETAILS: STATIONARY SIDELITE
SCALE: 3" = 1'-0"

SIDE JAMBS

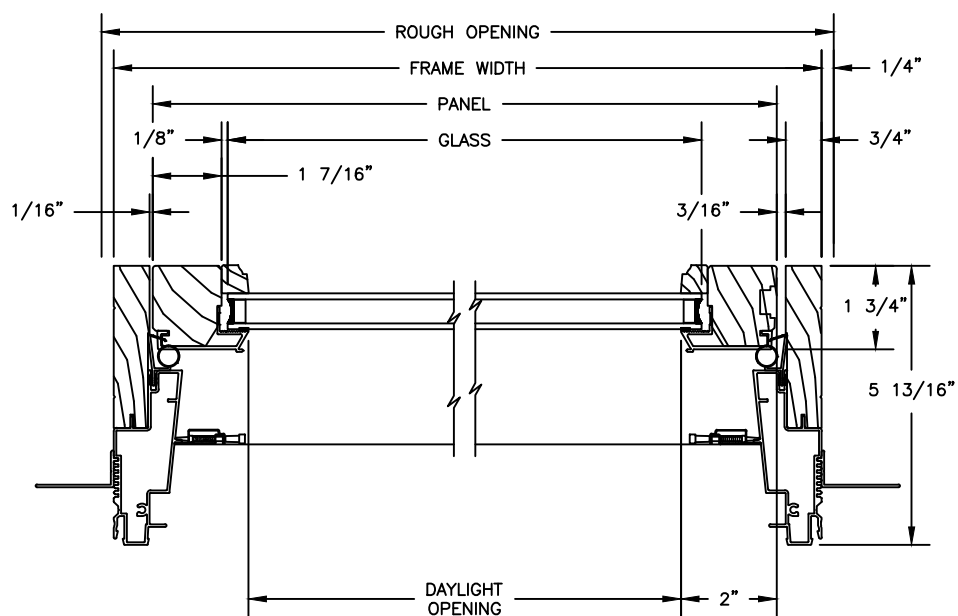


Ashworth Series

CLAD PATIO DOOR - ASW

SECTION DETAILS: ACTIVE SIDELITE
SCALE: 3" = 1'-0"

SIDE JAMBS




Ashworth Series

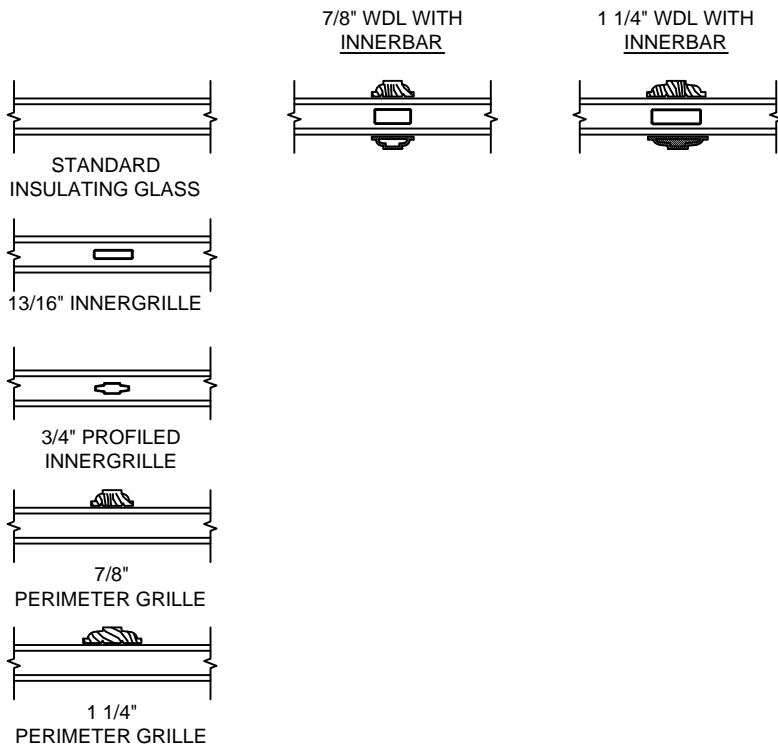
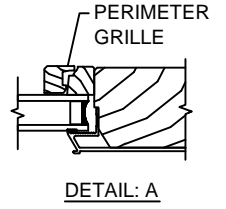
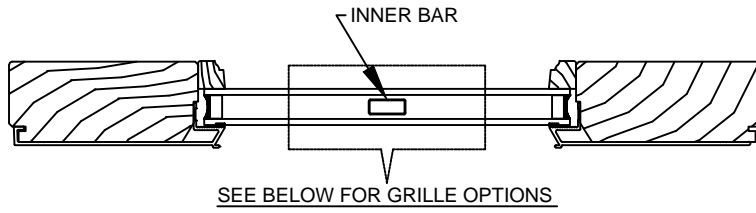
CLAD PATIO DOOR - ASW

SECTION DETAILS : GLASS STOP & DIVIDED LITE OPTIONS

SCALE: 3" = 1'-0"

AVAILABLE STYLES

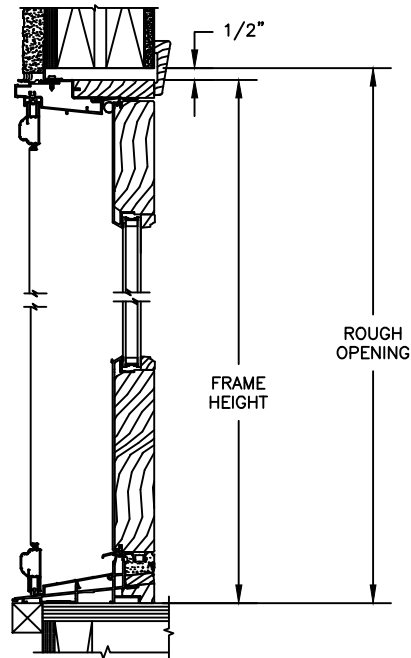
 - OGEE



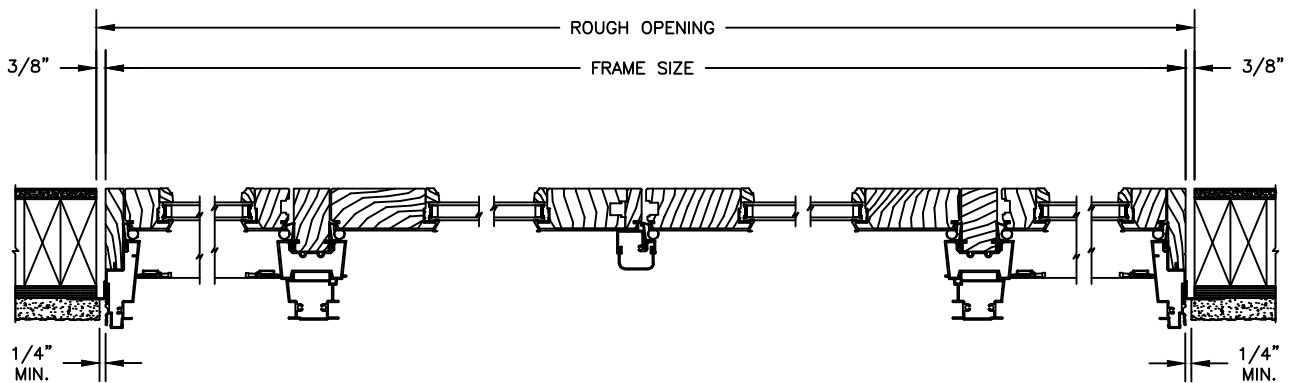
Ashworth Series

IN SWING PATIO DOOR - ASW

SECTION DETAILS : CONSTRUCTION
SCALE: 1 1/2" = 1'-0"



HEAD JAMB & SILL
2 X 4 FRAME WITH STUCCO

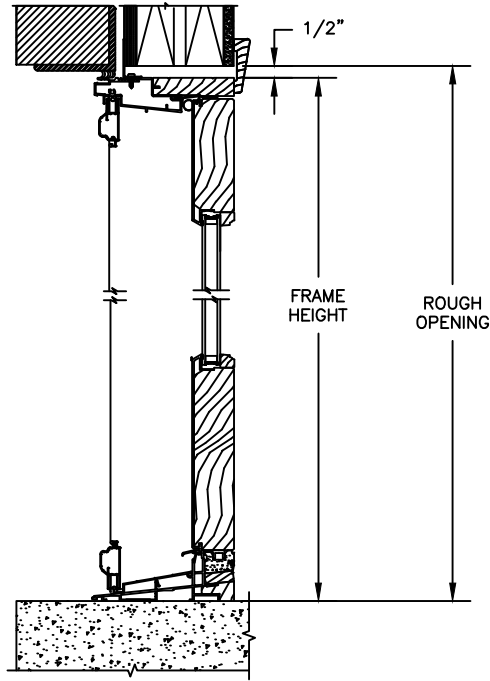


JAMBS
2 X 4 FRAME WITH STUCCO

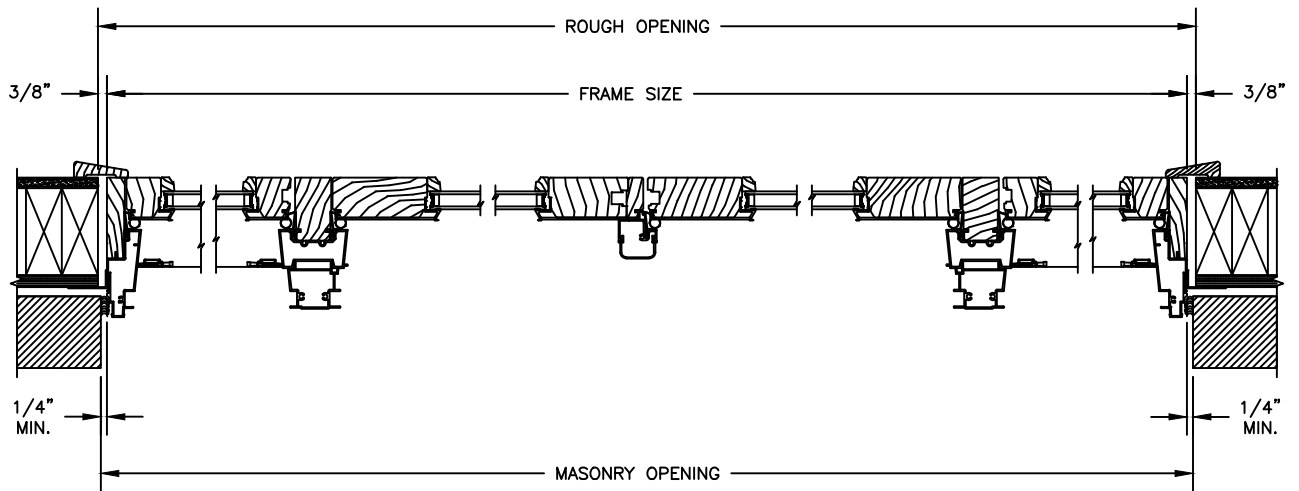
Ashworth Series

IN SWING PATIO DOOR - ASW

SECTION DETAILS : CONSTRUCTION
SCALE: 1 1/2" = 1'-0"



HEAD JAMB & SILL
2 X 4 FRAME WITH BRICK VENEER

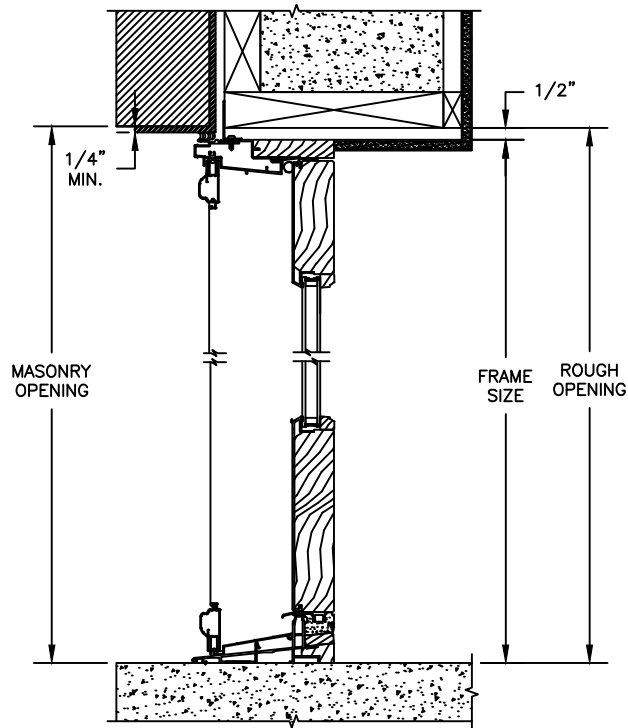


JAMBS
2 X 4 FRAME WITH BRICK VENEER

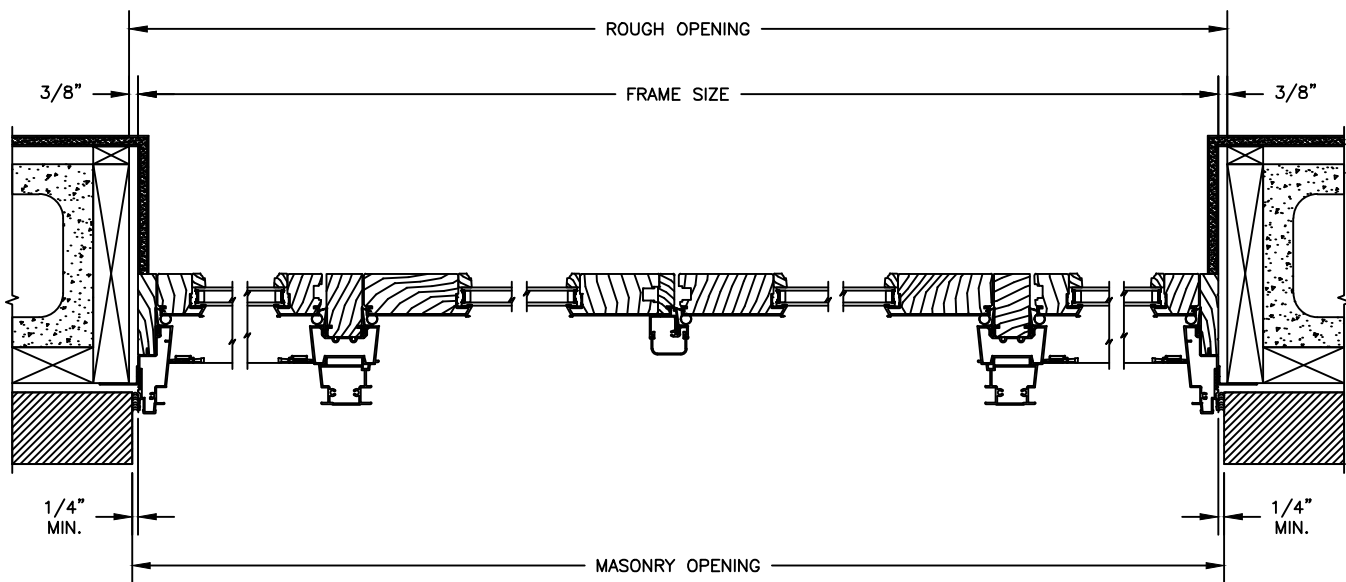
Ashworth Series

INSWING PATIO DOOR - ASW

SECTION DETAILS : CONSTRUCTION
SCALE: 1 1/2" = 1'-0"



HEAD JAMB & SILL
8" CONCRETE BLOCK WALL
WITH BRICK VENEER



JAMBS
8" CONCRETE BLOCK WALL
WITH BRICK VENEER